

Denton Sewing Center

1504 Malone Street
Denton, TX. 76201
940-382-4118 or toll free 800-544-7399
www.dentonsewingcenter.com

Monday - Friday 9:30AM - 5:30PM • Saturday 9:30AM - 5:00PM • Closed Sunday

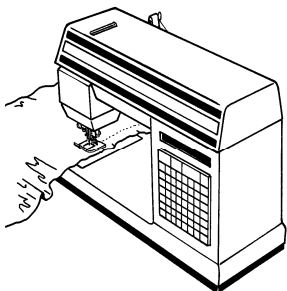
Schedule of Classes May - August 2010

- Beginning Sewing for Adults
- Quilting and Appliqué
- Machine Embroidery
- Basic Serging
- Creative Serging
- Embroidery Club
- Embroidery Software Clubs
- Sewing Machine & Serger Operation

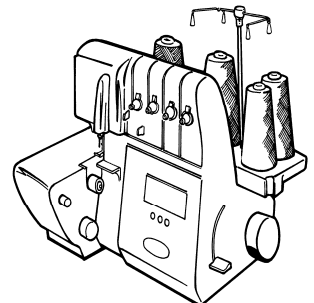
Class Registration Policy

- You must pre-register! A deposit of 1/2 class fee is required to sign up.
- Class fees will be credited only if we are notified of your cancellation 72 hours prior to class time.
- Classes are subject to cancellation if a minimum is not met. In this case, fees will be credited.

Sewing Machines • Sergers • Embroidery Machines • Sewing Furniture



- Husqvarna Viking
- Janome New Home
- Innov-is & Pacesetter by Brother
- Pfaff



SERVICE IS OUR BUSINESS

Free machine operation lessons with new machine.
Warranty repairs done on site.



Class Schedule

MAY - AUGUST 2010

940-382-4118

www.dentonsewingcenter.com



ADULT BASIC SEWING CLASSES

SEVEN STEPS TO SEWING SUCCESS This class is designed to teach adults the basics of machine sewing using a commercial pattern. Skills learned in class can be applied to other types of sewing. Class is appropriate for the beginning or returning sewist. Project is a pajama top and pants. Seven Sessions; 3 hours each. INSTRUCTION FEE: \$140⁰⁰ BONNIE

TUESDAY, AUGUST 10, 17, 24, 31 AND SEPTEMBER 7, 14 & 21, 6:00PM - 9:00PM

CREATIVE SEWING CLASSES

DESIGNED FOR THE OCCASIONAL OR THE ENTHUSIASTIC SEWIST

CHILDREN'S SUNDRESS WITH ELASTIC SHIRTING With a yard or so of fabric, some ribbon and elastic thread, you can make an adorable summer dress for the little girl in your life. Elastic shirting is remarkably easy and looks very similar to smocking. One Session: 5 hours. FEE: \$30⁰⁰ BONNIE

TUESDAY, MAY 18, 10:00AM - 3:00PM

CHILDREN'S RUFFLED T-SHIRT DRESS Take an ordinary t-shirt, add a few layers of ruffles, and you've made a sweet confection that any little girl will love. The bonus is learning to use a machine ruffler. One Session; 5 hours. FEE: \$30⁰⁰ BONNIE

FRIDAY, JUNE 18, 10:00AM - 3:00PM

APPLIQUED BABY BLANKET Warm and cuddly, this appliquéd fleece baby blanket will be sure to please. Sharpen your sewing skills and learn to appliqué on fleece material. No embroidery required, this project is suitable for any sewing machine that has an adjustable blind hem or blanket stitch. Two Sessions; 4 hours each. FEE: \$40⁰⁰ ANDREA

FRIDAY, JUNE 25 & JULY 2, 10:00AM - 2:00PM OR THURSDAY, JULY 8 & 15, 10:00AM - 2:00PM

INVESTMENTS: A RECYCLED DENIM VEST Save two pair of tired jeans from oblivion and make an investment in style at the same time. No jeans at home? Then rescue some from a second-hand store. This vest is the perfect project for your creative spirit - make your own statement with unique buttons and bias binding of your choice. Two Sessions: 4 hours each. FEE: 40⁰⁰ BONNIE

TUESDAY, JULY 13 & 20, 10:00PM - 2:00PM

OSNABURG TEA TOWEL: MADEIRA APPLIQUE & HEMSTITCHING Heirloom sewing techniques need not be limited to expensive fabrics. A Madeira appliqué border and hemstitching are as much at home on humble Osnaburg fabric as they are on linen. One Session; 3 hours. FEE: \$25⁰⁰ BONNIE

SATURDAY, AUGUST 7, 10:00AM - 1:00PM OR FRIDAY, AUGUST 13, 10:00AM - 1:00PM

QUILTING CLASSES

SEASONAL TABLE RUNNER Dress up your table for any season or special occasion with this beautiful runner. On-point squares and border highlight your feature fabric. Runner can easily be made to fit any length table. Pattern includes matching placemats. Basic rotary cutting and piecing skills required. Three Sessions; 4 hours each. FEE: \$55⁰⁰ BONNIE

MONDAY, JUNE 7, 14, AND 21, 10:00AM - 2:00PM

BASIC QUILTING TECHNIQUES This class is designed to teach adults the basics of machine quilting including rotary cutting techniques, piecing of squares, half-square triangles, quarter-square triangles, outline quilting and binding techniques. Class provides a firm foundation for your future quilting projects. No previous quilting experience is necessary. Project is a set of placemats. Four Sessions; 3 hours each. FEE: \$75⁰⁰ BONNIE

MONDAY, AUGUST 2, 9, 16, & 23, 10:00AM - 1:00PM



Class Schedule

MAY - AUGUST 2010

940-382-4118

www.dentonsewingcenter.com



SERGER CLASSES

QUICK SERGER QUILT This quilt makes a great gift! It is reversible, crib or lap sized, and it is pieced and quilted on the serger. It goes together incredibly fast. One Session; 5 hours. FEE: \$35⁰⁰ ANDREA

WEDNESDAY, MAY 12, 10:00AM—3:00PM OR THURSDAY, AUGUST 26, 10:00AM—3:00PM

T-SHIRT OR SWEATSHIRT WITH A 4-THEAD SERGER Why make a t-shirt? Because it's fun! You can make a t-shirt or sweatshirt with a serger in less than an hour and it will last for years! Sign up and learn to use that serger! One session; 4 hours. FEE: \$25⁰⁰ ANDREA

SATURDAY, MAY 15, 10:00AM—2:00PM OR THURSDAY, JUNE 10, 10:00AM - 2:00PM

T-SHIRT OR SWEATSHIRT WITH A 5 THREAD SERGER Why make a t-shirt? Because it's fun! You can make a t-shirt or sweatshirt with a serger in less than an hour and it will last for years! Sign up and learn to use that serger! Techniques for the 5- thread serger include 5-thread safety stitch and cover stitch. One session; 4 hours. FEE: \$25⁰⁰ ANDREA

THURSDAY, MAY 20, 10:00AM - 2:00PM OR SATURDAY, JUNE 26, 10:00AM - 2:00PM

SERGER KNOW HOW: SERGER FEARLESSLY If you haven't taken your serger out of its box, or if you just haven't ever learned to thread your serger, this class is for you. In this class, you will learn threading, tension adjustment, rolled hemming, maintenance and troubleshooting. One Session; 3 hours. FEE: \$25⁰⁰ ANDREA

WEDNESDAY, MAY 19, 10:00AM—1:00PM OR SATURDAY, JULY 24, 10:00AM—1:00PM

EMBROIDERY CLASSES

EMBROIDERY ON METAL: A TRINKET BOX So what if it's a little wacky! Embroidery on metal is fun and easy. One Session; 3 hours. FEE: \$25⁰⁰ KIT FEE: \$6⁰⁰ Includes wood box and metal. BONNIE

SATURDAY, MAY 23, 10:00AM - 1:00PM

VICTORIAN ROSE OR PANSIES & PARASOLS Anita Goodesigns has two stunning limited edition design packs: Victorian Roses and Pansies and Parasols. While both of these collections can be used to create beautiful quilts, why not get started with some beautiful decorator pillows? Two Sessions; 3 hours each. FEE: \$35⁰⁰ Design Pack Purchase Required. ANDREA

WEDNESDAY, JUNE 16 & 23, 10:00AM—1:00PM OR FRIDAY, AUGUST 20 & 27, 10:00AM - 1:00PM

EMBROIDERY ON BASEBALL CAPS Summer is here and so is baseball season! But in Texas, anytime is baseball cap time. Join us to learn two great ways to use your home embroidery machine to add embroidery to baseball caps. One Session; 4 hours. FEE: \$30⁰⁰ BONNIE

SATURDAY, JUNE 19, 10:00AM—2:00PM OR FRIDAY, JULY 9, 10:00AM - 2:00PM

BEACH BAG: EMBROIDERY ON PET SCREENING Join us to make the best beach bag you'll ever use. Guaranteed to draw compliments. And because it's made of screening, no sand will collect in the bottom and wet articles won't mildew. One Session; 5 hours. FEE: \$35⁰⁰ SCREENING: \$7⁰⁰ BONNIE

TUESDAY, JUNE 22, 10:00AM—3:00PM OR SATURDAY, JULY 17, 10:00AM - 3:00PM

OSNABURG TEA TOWEL: MADEIRA APPLIQUE, HEMSTITCHING AND OPEN EMBROIDERY Heirloom sewing techniques need not be limited to expensive fabrics. Madeira appliqué borders and hemstitching are as much at home on humble Osnaburg fabric as they are on linen. Add embroidery and you have a winning combination. One Session; 4 hours. FEE: \$30⁰⁰ BONNIE

SATURDAY, AUGUST 7, 10:00AM - 2:00PM OR FRIDAY, AUGUST 13, 10:00AM - 2:00PM



Class Schedule

MAY - AUGUST 2010

940-382-4118

www.dentonsewingcenter.com



EMBROIDERY SOFTWARE CLASSES

4D EMBROIDERY/ EMBROIDERY EXTRA This entry level class is for new owners of Husqvarna Viking 4D Embroidery/4D Embroidery Extra. It encompasses the essential skills of 4D: creating and editing lettering, importing and basic editing of designs, and creating original designs from clipart (4D Embroidery Extra only). Don't be intimidated by a box of software! One Session; 4 hours. FEE: \$30⁰⁰ ANDREA

FRIDAY, MAY 14, 10:00AM—2:00PM OR SATURDAY, AUGUST 28, 10:00AM—2:00PM

JANOME DIGITIZER PRO Creating embossed embroidery: Yes, you can! Embossed embroidery designs are elegant and lovely on towels and fleece. With some basic techniques, you can create your own with your embroidery software. One Sessions; 4 hours. FEE: \$30⁰⁰ ANDREA

THURSDAY, MAY 27, 10:00AM—2:00PM

PE DESIGN V8 FOR BEGINNERS This entry level class is for new owners of the PE Design Embroidery Software program. It encompasses the essential skills of PE Design—creating and editing lettering, importing and basic editing of designs, and creating original designs from clipart. Don't be intimidated by a box of software! One Session; 4 hours. FEE: \$35⁰⁰ ANDREA

SATURDAY, JUNE 12, 10:00AM—2:00PM OR WEDNESDAY, AUGUST 12, 10:00AM—2:00PM

4D DESIGN CREATOR: EMBOSSED DESIGNS USING SPECIALTY FILLS 4D Design Creator is the digitizing module included in 4D Embroidery Professional and in the Pfaff 4D Suite. No previous experience with Design Creator is required for this class. One Session; 4 hours. FEE: \$30⁰⁰ BONNIE

TUESDAY, AUGUST 3, 10:00AM—2:00PM

PE DESIGN V8: SPECIALTY TECHNIQUES Creating embroidery appliques, embroidery red work, embossed designs, fringed designs, and specialty lettering is a snap with PE Design. You have the software - why not develop your skill? One Session; 4 hours each. FEE: \$30⁰⁰ ANDREA

THURSDAY, AUGUST 5, 10:00AM—2:00PM

EMBROIDERY CLUB

NO EMBROIDERY CLUB IS SCHEDULED FOR JULY AND AUGUST

LADY'S MONOGRAMMED HANKY A monogrammed hanky is the perfect bridesmaid gift, a wonderful Mother's Day gift and a personal pleasure for yourself. We'll begin with a lace-edged cotton hanky, add a delicate heirloom design and top it off with a monogram. One Session; 3 Hours. FEE: \$20⁰⁰ KIT FEE: \$11⁰⁰ BONNIE Includes heirloom design & hanky.

SATURDAY, MAY 1, 10:00AM—1:00PM OR TUESDAY, MAY 4, 10:00AM—1:00PM

APPLIQUED BEACH BAG Make this colorful tote bag just perfect for the beach! Or just take it with you to the grocery store and feel very stylish! The technique is embroidery appliqué. Embroidery appliqué is easy and versatile. You'll find an endless supply of appliqué designs for children, linens and clothing. One Session; 3 Hours. FEE: \$20⁰⁰ KIT FEE: TBA ANDREA

TUESDAY, JUNE 1, 10:00AM—1:00PM OR SATURDAY, JUNE 5, 10:00AM—1:00PM

Class Registration Policy

- You must pre-register! A deposit of 1/2 class fee is required to sign up.
- Class fees will be credited only if we are notified of your cancellation 72 hours prior to class time.
- Classes are subject to cancellation if a minimum is not met. In this case, fees will be credited.

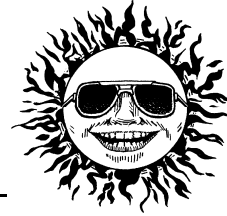


Class Schedule

MAY - AUGUST 2010

940-382-4118

www.dentonsewingcenter.com



MACHINE SPECIFIC CLASSES

APPLIQUE CREATOR: BROTHER QUATTRO, DUETTA V 4.0 AND 4000 V.40 Learn the ins and outs of the phenomenal Appliqué Creator available on the Quattro and Duetta/4000 upgraded to V 4. Creating appliqué from embroidery designs was never easier. A Disney wall hanging is our project. One Session; 4 hours. FEE: \$25⁰⁰ BONNIE.

TUESDAY, JUNE 8, 10:00AM—2:00PM

ADVANCED STITCH TECHNIQUES: BROTHER NX 400/450Q, INNOVIS 900D AND NX 1200/1250 This class focuses on decorative stitch sequencing and using the My Custom Stitch function. One Session: 3 hours. FEE: No fee if machine was purchased from Denton Sewing Center in the past 6 months. Otherwise, fee is \$30⁰⁰ BONNIE

SATURDAY, MAY 8, 2:30PM - 4:30PM OR FRIDAY, JULY 16, 10:00AM - NOON

UFO WORKSHOP

A PLACE AND A TIME TO WORK ON THAT UNFINISHED SEWING OR EMBROIDERY PROJECT.
AN INSTRUCTOR WILL BE ON HAND TO ANSWER QUESTIONS AND PROVIDE ENCOURAGEMENT.
CLASS MINIMUM IS FOUR STUDENTS.

FEE: \$20⁰⁰

New

TUESDAY, MAY 25, 10:00AM - 1:00PM INSTRUCTOR: BONNIE

FRIDAY, JUNE 4, 10:00AM - 1:00PM INSTRUCTOR: ANDREA

TUESDAY, JULY 27, 10:00AM - 1:00PM INSTRUCTOR: BONNIE

FRIDAY, AUGUST 6, 10:00AM - 1:00PM INSTRUCTOR: ANDREA

NEW OWNERS CLASSES

FREE IF YOU PURCHASED YOUR MACHINE FROM US IN THE PAST 6 MONTHS. IF NOT, FEE IS BASED ON MACHINE.

COMPUTERIZED SEWING MACHINES OR SEWING/EMBROIDERY MACHINES: SEWING FUNCTIONS ONLY.

JANOME COMPUTERIZED MACHINES (MC11000 NOT INCLUDED): SATURDAY, JUNE 5 OR SATURDAY, AUGUST 14, 2:30PM - 4:30PM

BROTHER NS AND NX MODELS, 900D AND 1200/1250D: SATURDAY, JUNE 12, 2:30PM - 4:30PM

BROTHER QC1000, 1500D, 2500D AND 4500D: SATURDAY, JULY 10, 2:30PM - 4:30PM

BY APPOINTMENT: BROTHER QUATTRO, JANOME MC11000 , HUSQVARNA VIKING & PFAFF MACHINES

EMBROIDERY MACHINES: EMBROIDERY FUNCTIONS ONLY

BROTHER 750, 780D, 900D, 1200, 1250D: SATURDAY, MAY 15, 3:00PM - 5:00PM OR JULY 24, 2:30PM - 4:30PM

BROTHER 1500D, 2500D, 2800D AND 4500D: SATURDAY, MAY 22, 3:00PM - 5:00PM OR SATURDAY, AUGUST 21, 2:30PM - 4:30PM

BY APPOINTMENT: BROTHER QUATTRO, JANOME MC11000 , HUSQVARNA VIKING & PFAFF MACHINES

Win a 50⁰⁰ Gift Certificate

When you attend a class at Denton Sewing Center, your name will be entered in a drawing. The exception is New Owners Classes. At the end of the four months, one name will be drawn. The winner will receive a store gift certificate worth \$50⁰⁰.

The drawing for the summer will be in August 2010.

Entry is per class, not per session.